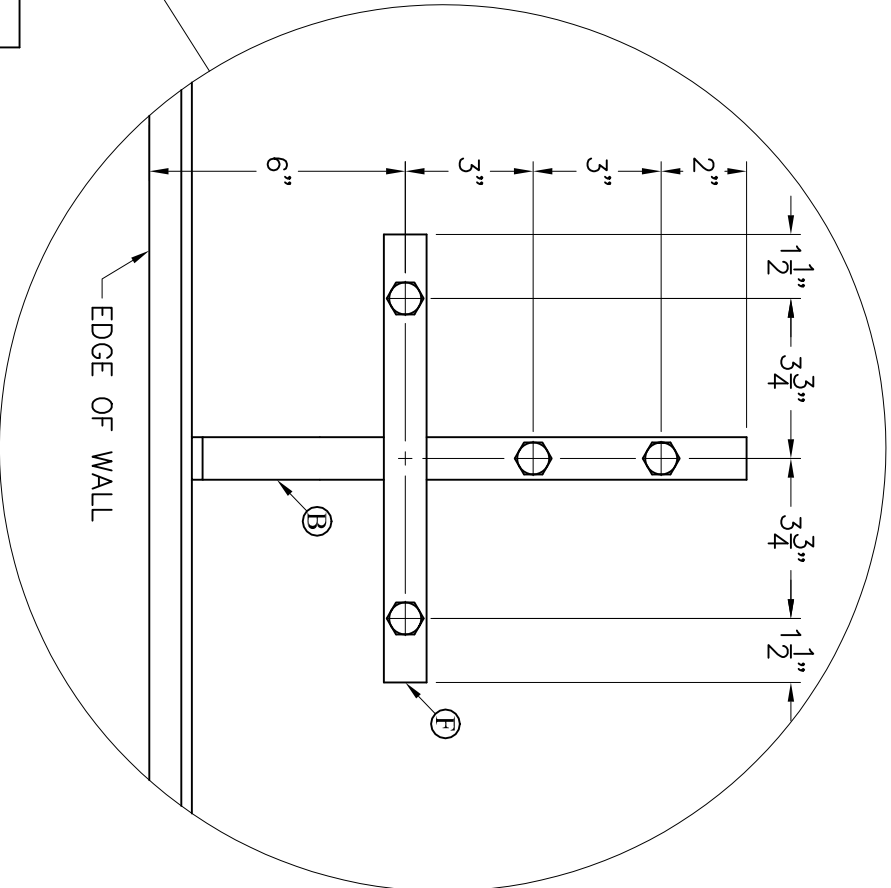
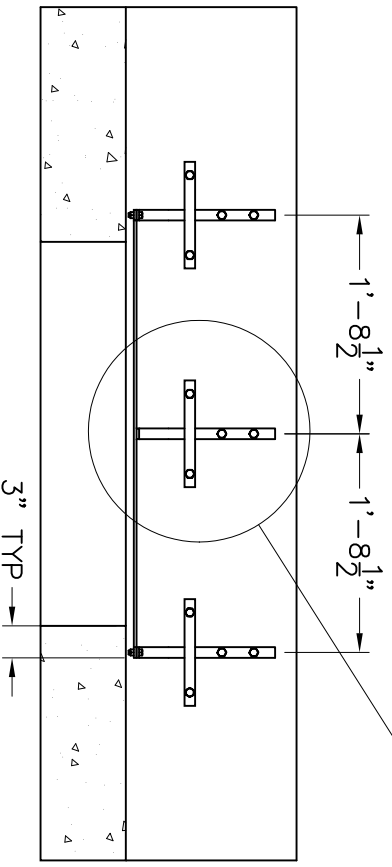


SEE SHEET FOR REVISIONS



DETAIL TYP
OF ALL VERTICAL
SUPPORTS



BOTTOM SECTION

- CAD GENERATED DRAWING. DO NOT MANUALLY UPDATE.
- UNLESS OTHERWISE SPECIFIED, ALL DIMENSIONS ARE IN INCHES.
- THE INFORMATION CONTAINED IN THIS DRAWING IS THE SOLE PROPERTY OF PROTECH. ANY REPRODUCTION IN PART OR IN WHOLE WITHOUT THE WRITTEN PERMISSION OF PROTECH IS PROHIBITED.

PROTECH
An Armor Holdings Company
138 Hubbard Ave.,
Pittsfield, MA, 01240

TITLE: **BLASTSHIELD MODEL D4**
CUSTOMER: **STANDARD CUSTOMER DWG**

APPROVALS		DATE	TITLE
DRAWN	APPR		
DML		1/21/02	CUSTOMER: STANDARD CUSTOMER DWG
CHECKED			DWG. NO.: STBHD4C001
QUALITY ENGINEER			PROJ. NO.: ST-BH-D4
			PAGE SIZE: A
			SCALE: 1"=1-1/2'
			SHEET: 3 OF 3
			REV: A