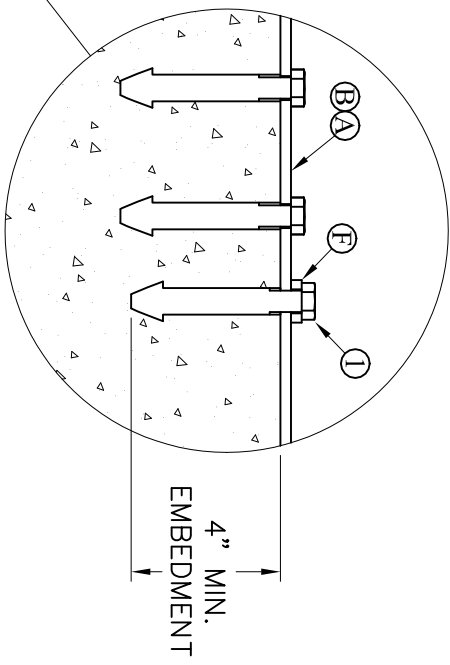
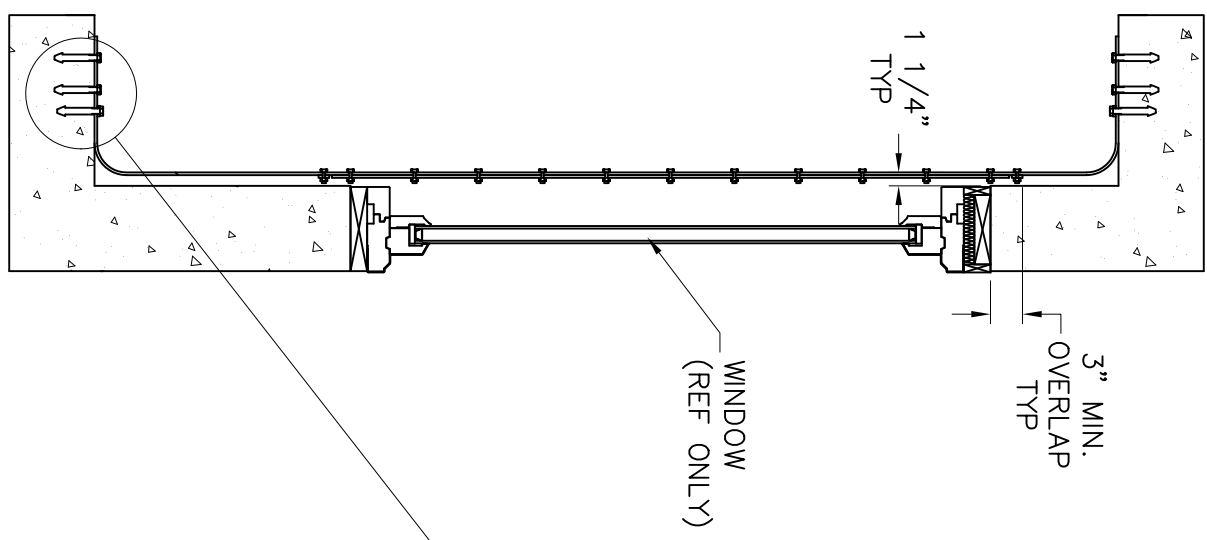


SEE SHEET FOR REVISIONS



SIDE SECTION

- CAD GENERATED DRAWING. DO NOT MANUALLY UPDATE.  
 - UNLESS OTHERWISE SPECIFIED, ALL DIMENSIONS ARE IN INCHES.  
 - THE INFORMATION CONTAINED IN THIS DRAWING IS THE SOLE PROPERTY OF PROTECH. ANY REPRODUCTION IN PART OR IN WHOLE WITHOUT THE WRITTEN PERMISSION OF PROTECH IS PROHIBITED.

**PROTECH**  
 An Armor Holdings Company  
 138 Hubbard Ave.,  
 Pittsfield, Ma., 01240

APPROVALS		APPR	DATE	TITLE
DRAWN	DML		1/21/02	BLASTSHIELD MODEL D4
CHECKED	--	--	--	CUSTOMER: STANDARD CUSTOMER DWG
QUALITY ENGINEER	--	--	--	DWG. NO.: STBHD4C001
				PAGE SIZE: A
				SCALE: 1"=1'-1/2'
				SHEET: 2 OF 3
				REV: A