

REVISIONS

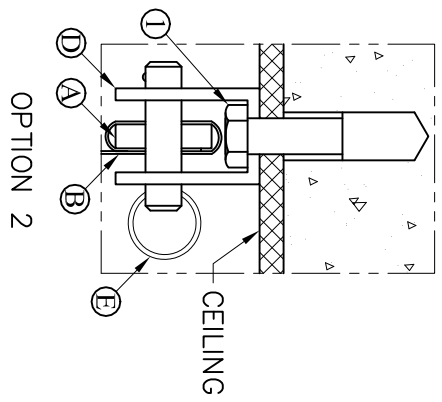
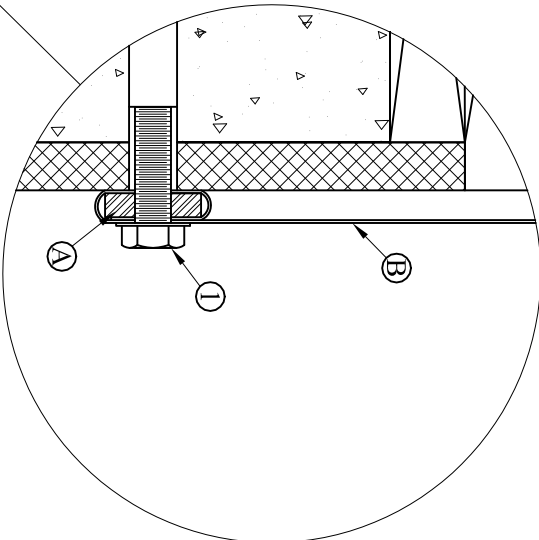
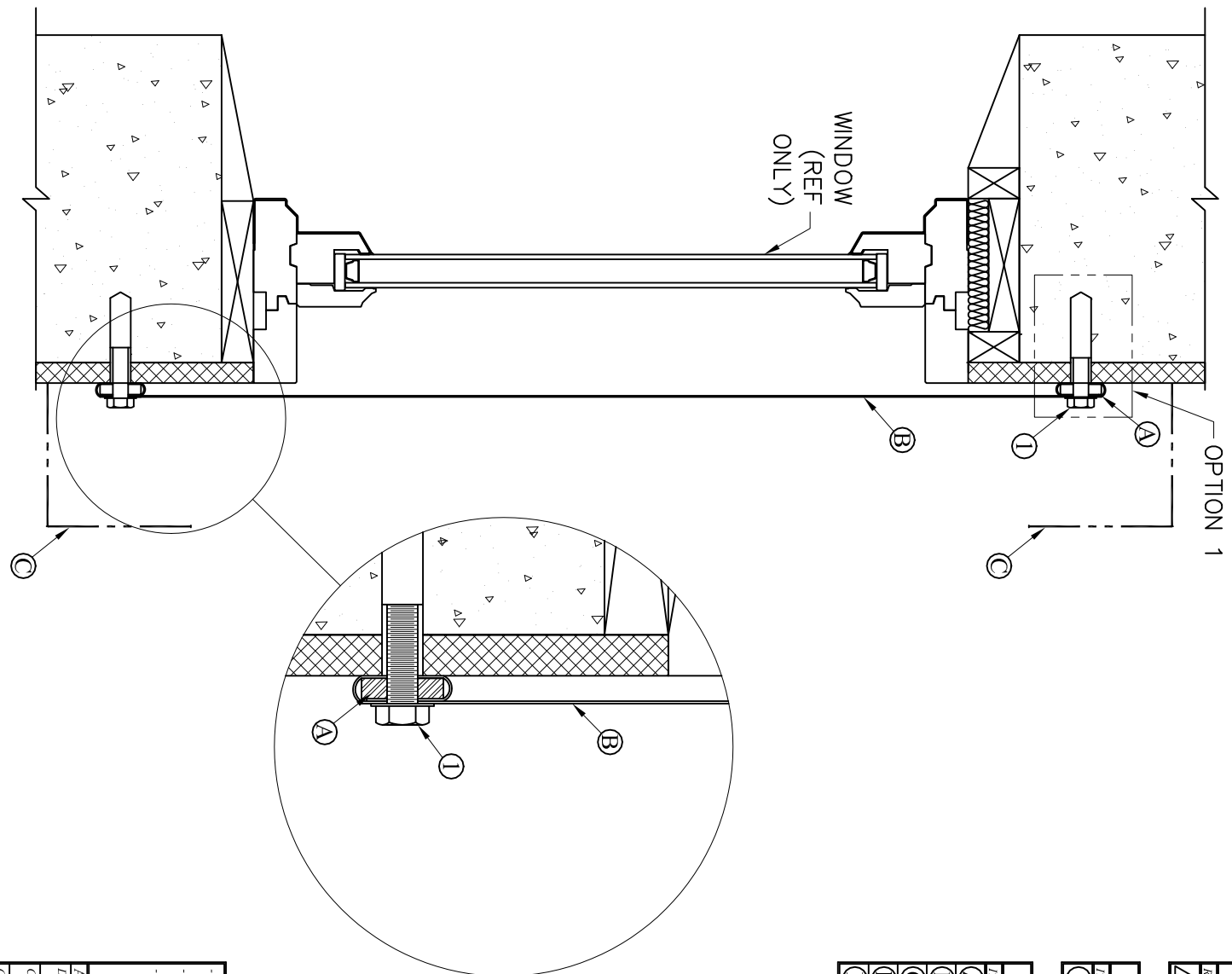
REV	DESCRIPTION	DRAWN	DATE	APP	DATE
Δ	ENGINEERING RELEASE	DML	1/17/02	-	-

FASTENER LIST

ITEM	DESCRIPTION	MATERIAL
①	EXPANSION ANCHOR W/WASHER	SS

BILL OF MATERIALS

ITEM	DESCRIPTION	MATERIAL
Ⓐ	1/4" x 1" FLATBAR	STL
Ⓑ	PHIFERSHIELD FABRIC	-
Ⓒ	OPTIONAL FASCIA	-
Ⓓ	1-1/2" x 1" CHANNEL	ALUM
Ⓔ	PULL PIN	SS



- CAD GENERATED DRAWING. DO NOT MANUALLY UPDATE.
 - UNLESS OTHERWISE SPECIFIED, ALL DIMENSIONS ARE IN INCHES.
 - THE INFORMATION CONTAINED IN THIS DRAWING IS THE SOLE PROPERTY OF PROTECH. ANY REPRODUCTION IN PART OR IN WHOLE WITHOUT THE WRITTEN PERMISSION OF PROTECH IS PROHIBITED.



PROTECH
 An Armor Holdings Company
 138 Hubbard Ave.,
 Pittsfield, Ma, 01240

APPROVALS		APPR	DATE	TITLE
DRAWN	DML		1/17/02	BLASTSHIELD MODEL 428T
CHECKED	--	--	--	CUSTOMER: STANDARD CUSTOMER DWG
QUALITY ENGINEER	--	--	--	DWG. NO.: STBH428TC001
				PROJ. NO.: ST-BH-428T
PAGE SIZE: A		SCALE: 1"=4"	SHEET: 1 OF 2	REV: Δ