

REVISIONS

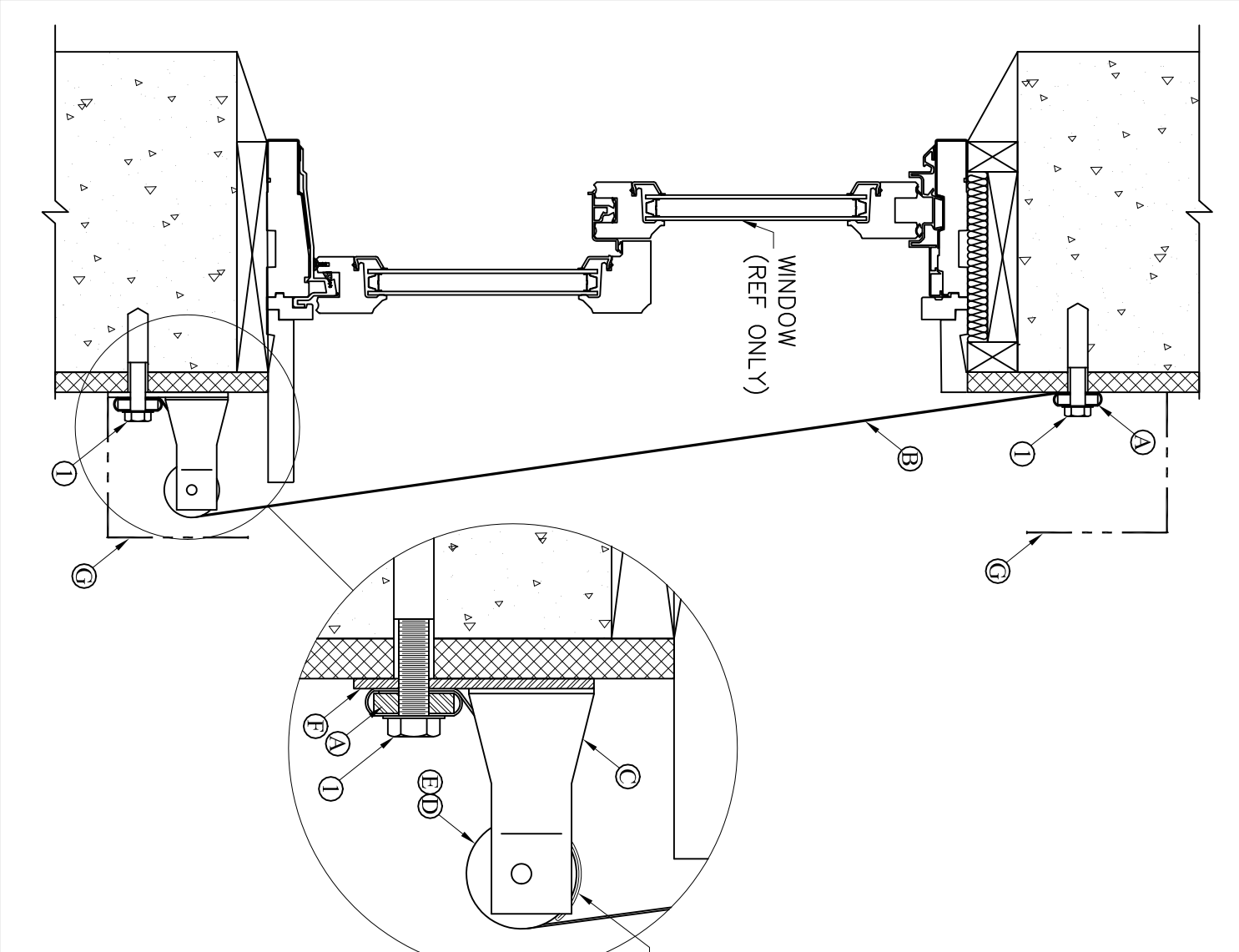
REV	DESCRIPTION	DRAWN	DATE	APP	DATE
Δ	ENGINEERING RELEASE	DML	1/17/02	-	-

FASTENER LIST

ITA	DESCRIPTION	MATERIAL
①	EXPANSION ANCHOR W/WASHER	SS

BILL OF MATERIALS

ITA	DESCRIPTION	MATERIAL
Ⓐ	1/4" x 1" FLATBAR	STL
Ⓑ	PHIERSHIELD FABRIC	-
Ⓒ	ROLL BRACKET (WELDED TO BACKPLATE)	GALV
Ⓓ	1-3/8" DIAMETER ROLLER TUBE	STL
Ⓔ	DYNAMIC TENSION ROLLER (NOT SHOWN)	VAR
Ⓕ	3" x 1/8" BACKPLATE	STL
Ⓖ	OPTIONAL FASCIA & END BRACKETS	-



FABRIC LOOP
AROUND ROLLER

PROTECH
An Armor Holdings Company
138 Hubbard Ave.,
Pittsfield, Ma., 01240

- CAD GENERATED DRAWING. DO NOT MANUALLY UPDATE.
- UNLESS OTHERWISE SPECIFIED, ALL DIMENSIONS ARE IN INCHES.
- THE INFORMATION CONTAINED IN THIS DRAWING IS THE SOLE PROPERTY OF PROTECH. ANY REPRODUCTION IN PART OR IN WHOLE WITHOUT THE WRITTEN PERMISSION OF PROTECH IS PROHIBITED.

APPROVALS	APPR	DATE	TITLE
DRAWN	DML	1/17/02	BLASTSHIELD MODEL 428R
CHECKED	--	--	CUSTOMER: STANDARD CUSTOMER DWG
QUALITY ENGINEER	--	--	DWG. NO.: STBH428RC001 PROJ. NO.: ST-BH-428R

PAGE SIZE: A SCALE: 1"=4" SHEET: 1 OF 2 REV: Δ